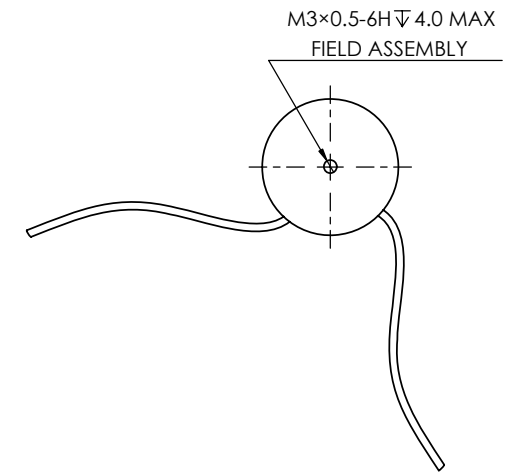
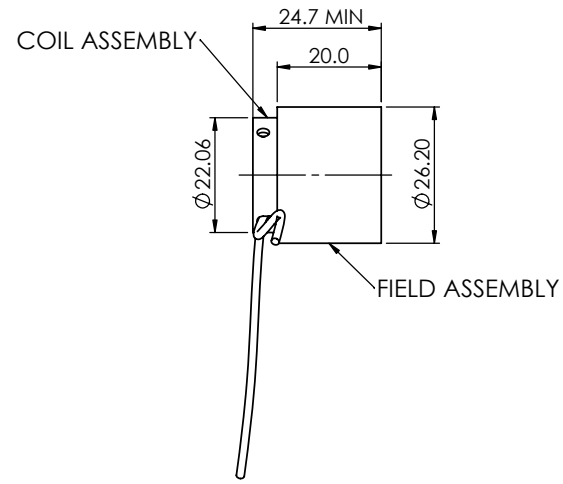
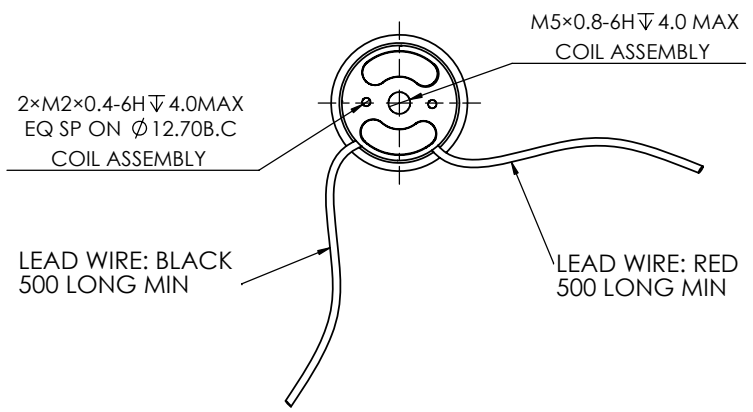
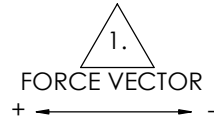
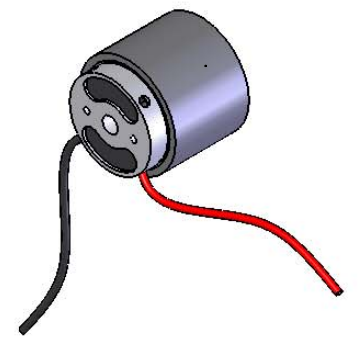


WINDING CONSTANT	TOL	SYM	VALUE	UNITS
DC RESISTANCE	± 10%	R	11.7	OHMS
VOLTAGE @ Fp	NOMINAL	Vp	26.6	VOLTS
CURRENT @ Fp	NOMINAL	Ip	2.3	AMPS
FORCE SENSITIVITY	± 7.5%	Kf	5.72	N / A
BACK EMF CONSTANT	NOMINAL	Kb	5.72	V/M/Sec
INDUCTANCE*****	± 30%	L	2.62	mH
ACTUATOR PARAMETER		SYM	VALUE	UNITS
PEAK FORCE *		Fp	13	N
CONTINUOUS FORCE **		Fc	4.2	N
CONTINUOUS FORCE WITH HEAT SINK		Fc	9.54	N
ACTUATOR CONSTANT		Ka	1.67	N/W
ELECT TIME CONSTANT		Te	0.22	milli-sec
POWER I2R@Fp		Pp	60	W
TOTAL STROKE		S	7.2	mm
CLEARANCE ON SIDE OF COIL		CL	0.5	mm
THERMAL RESISTANCE ***		Θth	19.8	C / W
THERMAL RESISTANCE WITH HEAT SINK****		Θth	3.84	C / W
MAX WINDING TEMP		Tmax	150	C
WEIGHT OF COIL ASSEMBLY		WTc	16.2	g
WEIGHT OF FIELD ASSEMBLY		WTF	57.9	g
WEIGHT OF ACTUATOR		WTA	74.1	g

* 10 sec @ 25C ambient, 150C coil temp.
 ** 25C ambient, 150C coil temp.
 *** In free air.
 **** Measured with 250x250x10mm heat sink.
 ***** Measured with BK PRECISION 875B.

REV	ECO.NO	DESCRIPTION	DRN	APP'D	Q.A.	DATE
X1	---	INITIAL RELEASE	WYG	FCL		06/08/13
X2	100039	UPDATE DATA SHEET	WYG	FCL		06/09/29
X3	100062	UPDATE DATA SHEET	BWZ	WYG	LBQ	07/04/26



2.INSULATION RESISANCE:100 MEGOHMS MINIMUM AT 500 VDC.
 ▲A POSITIVE(+) VOLTAGE APPLIED TO THE RED LEAD WILL PRODUCE A FORCE ON THE COIL ASSEMBLY IN POSITIVE (+) DIRECTION.
 NOTES:UNLESS OTHERWISE SPECIFIED

PROPRIETARY AND CONFIDENTIAL
 THE INFORMATION CONTAINED IN THIS DRAWING IS THE SOLE PROPERTY OF USAS MOTION - SUZHOU, CHINA. ANY REPRODUCTION IN PART OR AS A WHOLE WITHOUT THE WRITTEN PERMISSION OF USAS MOTION - SUZHOU, CHINA IS PROHIBITED.

UNLESS OTHERWISE SPECIFIED:		NAME	DATE	Suzhou, China
DIMENSIONS ARE IN MM		DRAWN	BWZ 07-04-26	
TOLERANCES:		CHECKED		TITLE: <h3>LINEAR ACTUATOR</h3>
ANGULAR: MACH ±0° 30'		ENG APPR.	WYG 07-04-26	
ONE PLACE DECIMAL ±0.25		MFG APPR.		
TWO PLACE DECIMAL ±0.1		Q.A.	LBQ 07-04-26	
INTERPRET GEOMETRIC TOLERANCING PER:		COMMENTS:		SIZE B DWG. NO. VLR0013-0072-00A REV X3
ANSI Y14.5M-1982.				SCALE: 1: 1 SHEET 1 OF 1
DO NOT SCALE DRAWING				